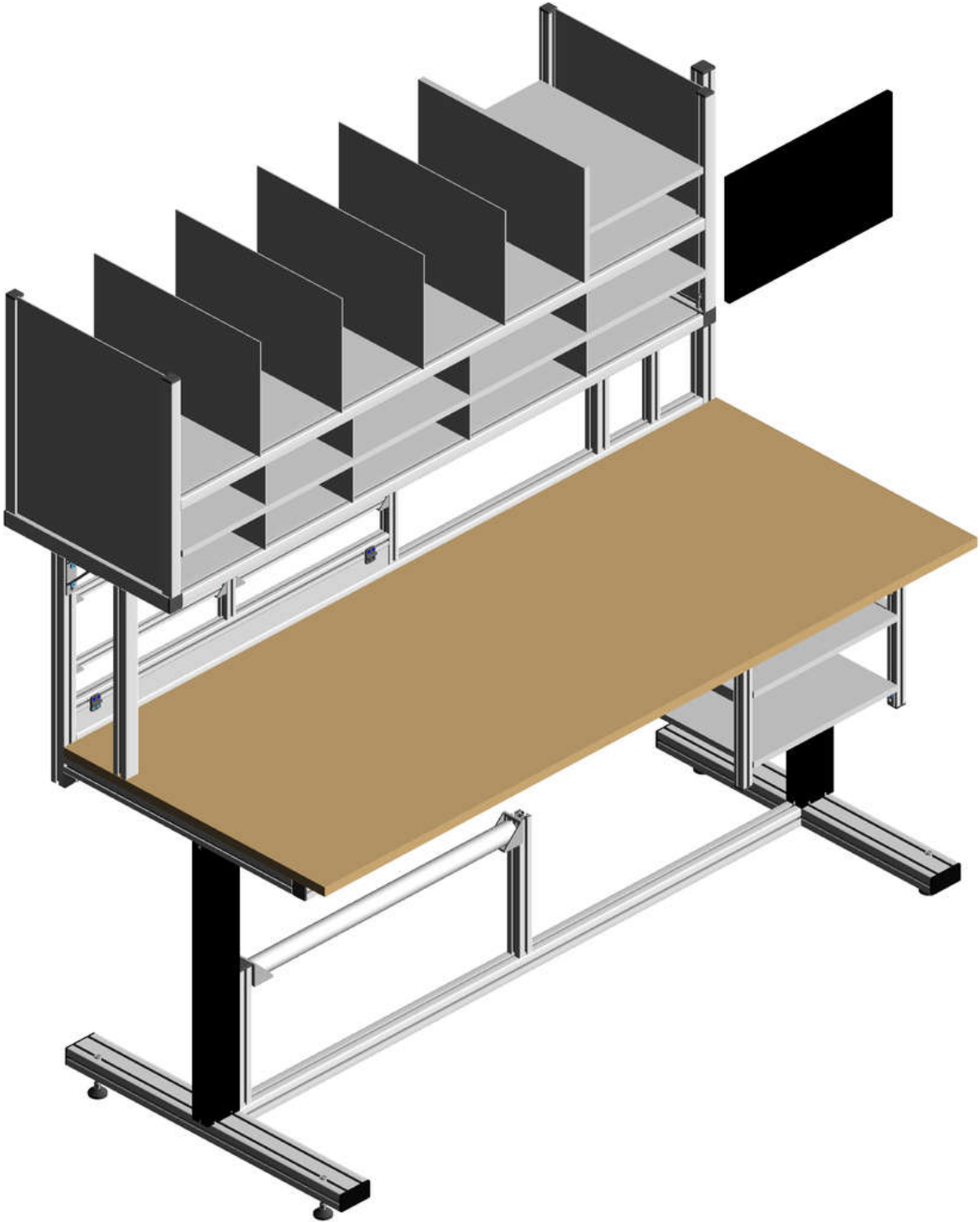


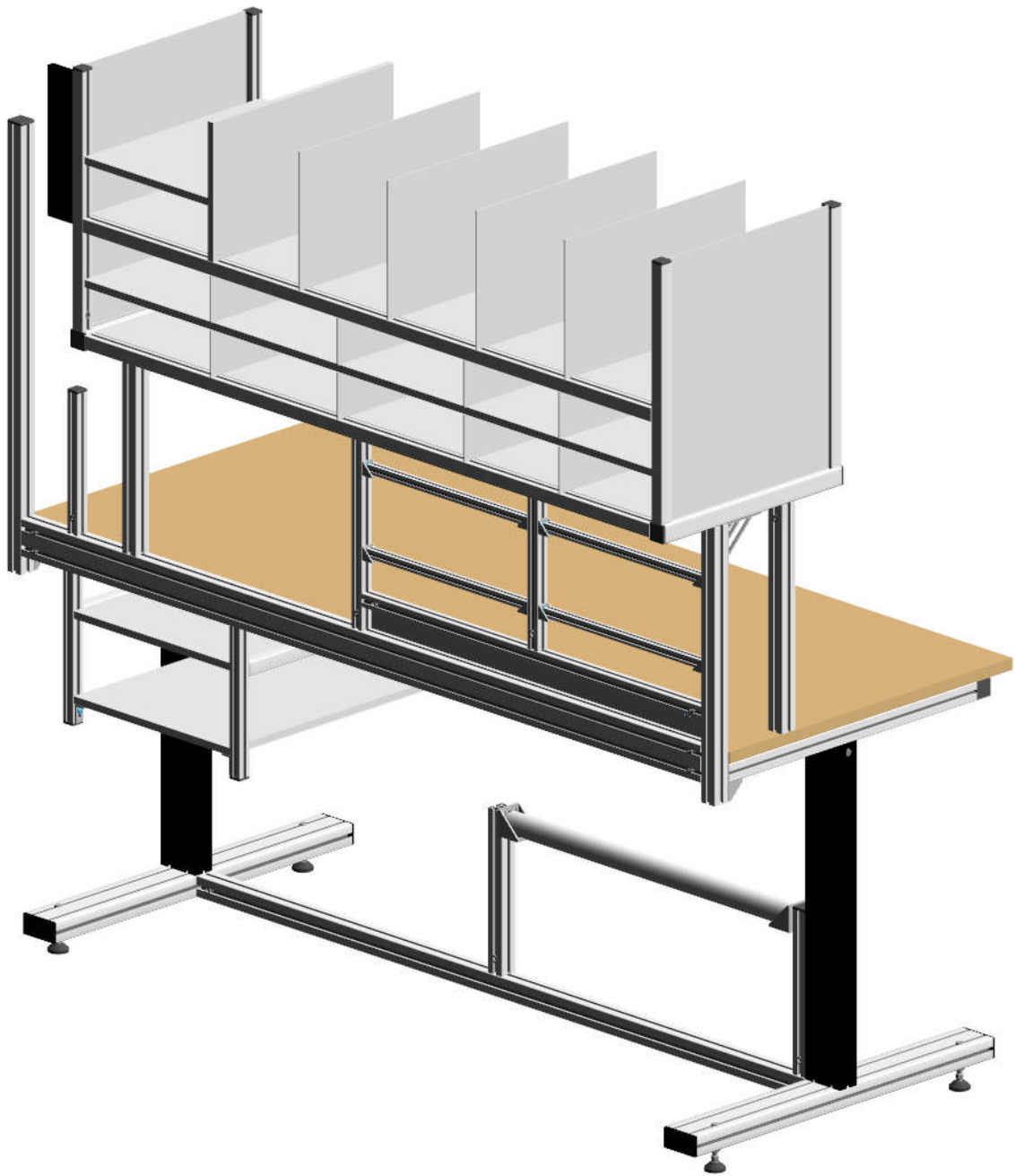
# CONSTRUCTION DOCUMENTATION

Design Title : SampleLiftingPackingBench  
Revision Level :  
Approved by :  
Designer :  
Company : MayTec Australia  
Address : 8/175 James Ruse Drive Rosehill 2142  
E-Mail :  
Phone : 02) 9898 9929  
Date : 2019-10-18



# Isometric view

Some accessories may not be shown



# Multiview

