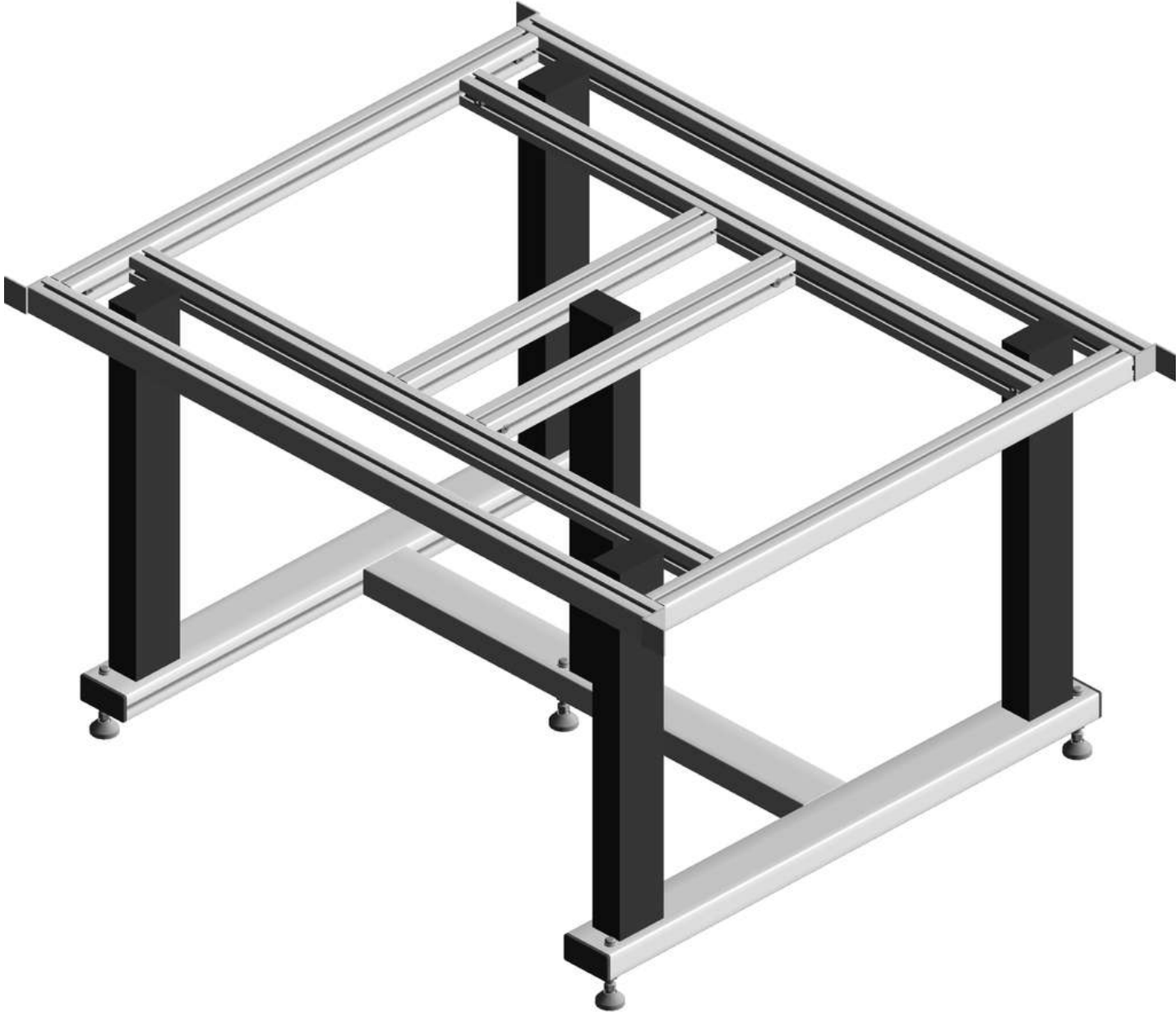


CONSTRUCTION DOCUMENTATION



Design Title : Cabinet Lifting Bench
Revision Level :
Approved by :
Designer :
Company : MayTec Australia
Address : 8/175 James Ruse Drive Rosehill 2142
E-Mail : maytec.net.au
Phone : (02) 9898 9929
Date : 2019-12-12



Design Title : Cabinet Lifting Bench
Customer Name :
Customer E-Mail : maytec.net.au
Date : 2019-12-12

Isometric view

Some accessories may not be shown



Design Title : Cabinet Lifting Bench
Customer Name :
Customer E-Mail : maytec.net.au
Date : 2019-12-12

Multiview

