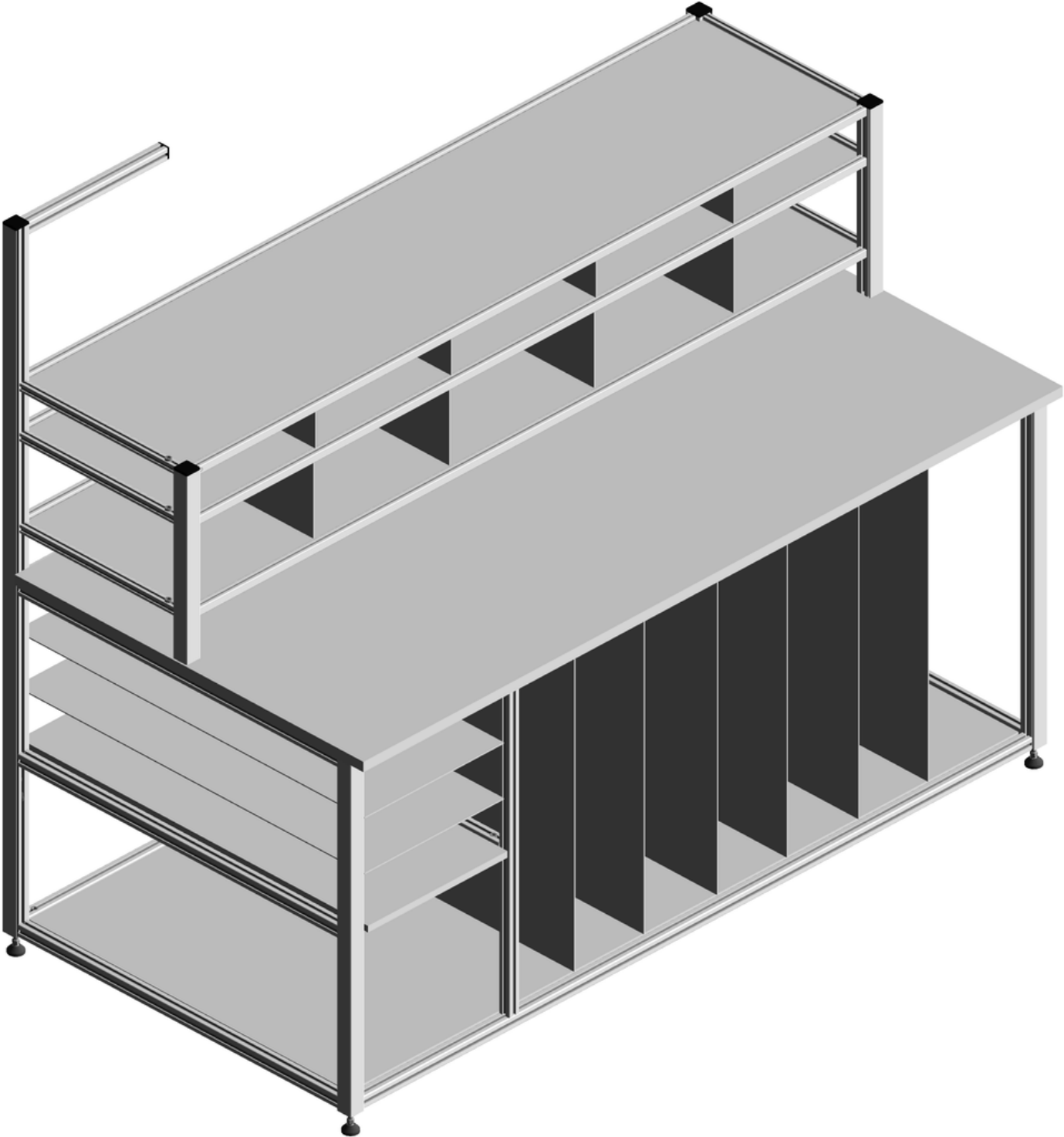


CONSTRUCTION DOCUMENTATION

Design Title : Divider Bench
Revision Level :
Approved by :
Designer :
Company : MayTec Australia
Address : 8/175 James Ruse Dr Rosehill NSW 2142
E-Mail :
Phone : 02 9898 9929
Date : 2019-11-19



Bill of materials

Pos	Article-No	Description	Units	Qty
1	1.10.020020.33SP-AA2AA1/1920	Profile 20x20, 3H, heavy, plain	MM	1
2	1.10.020020.33SP-AA3AA1/1920	Profile 20x20, 3H, heavy, plain	MM	2
3	1.10.020020.43LP-AA2AA2/450	Profile 20x20, 4H, light, plain	MM	1
4	1.10.020020.43LP-AA4AA4/450	Profile 20x20, 4H, light, plain	MM	2
5	1.10.020020.43LP-AA2AA4/450	Profile 20x20, 4H, light, plain	MM	3
6	1.10.020020.43LP-AA4AA4/1920	Profile 20x20, 4H, light, plain	MM	3
7	1.11.030030.43LP-AA4A00/400	Profile 30x30, 4F, light, plain	MM	1
8	1.11.030030.43LP-AA4AA4/930	Profile 30x30, 4F, light, plain	MM	1
9	1.11.030030.43LP-AA4AA4/790	Profile 30x30, 4F, light, plain	MM	2
10	1.11.030030.43LP-AA4AA4/1920	Profile 30x30, 4F, light, plain	MM	4
11	1.11.030030.43LP-AA4AA4/920	Profile 30x30, 4F, light, plain	MM	5
12	1.14.040040.22LP4-A00AL0/1329	Panel profile 40x40, 2E, corner, light, plain, slot 4 mm Depth of thread, right: 100.0 mm	MM	1
13	1.14.040040.22LP4-A00AL0/1700	Panel profile 40x40, 2E, corner, light, plain, slot 4 mm Depth of thread, right: 100.0 mm	MM	1
14	1.14.040040.22LP4-A00A00/453	Panel profile 40x40, 2E, corner, light, plain, slot 4 mm	MM	2
15	1.14.040040.22LP4-A00AL0/850	Panel profile 40x40, 2E, corner, light, plain, slot 4 mm Depth of thread, right: 100.0 mm	MM	2
16	1.41.H04.1-A00A00/450	Combination profile PVC, H, B4, grey (bar 2.5 m)	MM	6
17	1.41.H04.1-A00A00/1920	Combination profile PVC, H, B4, grey (bar 2.5 m)	MM	6
26	1.42.20303.2	Cover cap 30x30, black	EA	1
27	1.42.20404.2	Cover cap 40x40, dia: 12, black	EA	4
28	1.20.2E0	Connector, universal	EA	20
29	1.21.3E0	Connector, universal	EA	23
30	1.21.3F0	Connector, universal	EA	6
31	1.44.411040	Adjustable tilt-foot plate PA, 40	EA	5
32	1.44.4614066	Adjustable tilt-foot spindle steel, M14x66	EA	3
33	1.44.4614100	Adjustable tilt-foot spindle steel, M14x100	EA	2
34	1.44.46M14	Nut M14	EA	5
		Frame weight:		36.44 kg (80.33 lbs)
18	2.83.162412.3	16mm Melamine white velvet mr pb, SIZE: 400.00MM x 1000.00MM ***PER DRAWING 1***	SM	1
19	2.83.162412.3	16mm Melamine white velvet mr pb, SIZE: 920.00MM x 1920.00MM ***PER DRAWING 2***	SM	1
20	2.83.252412.3	25mm Melamine white velvet mr pb, SIZE: 1000.00MM x 2006.00MM ***PER DRAWING 3***	SM	1
21	2.85.32412.33	3mm composite (0.21Skin) GlossWhite/Matte white, SIZE: 400.00MM x 1000.00MM ***PER DRAWING 4***	SM	2
22	2.85.32412.33	3mm composite (0.21Skin) GlossWhite/Matte white, SIZE: 478.00MM x 1948.00MM ***PER DRAWING 5***	SM	3

Bill of materials

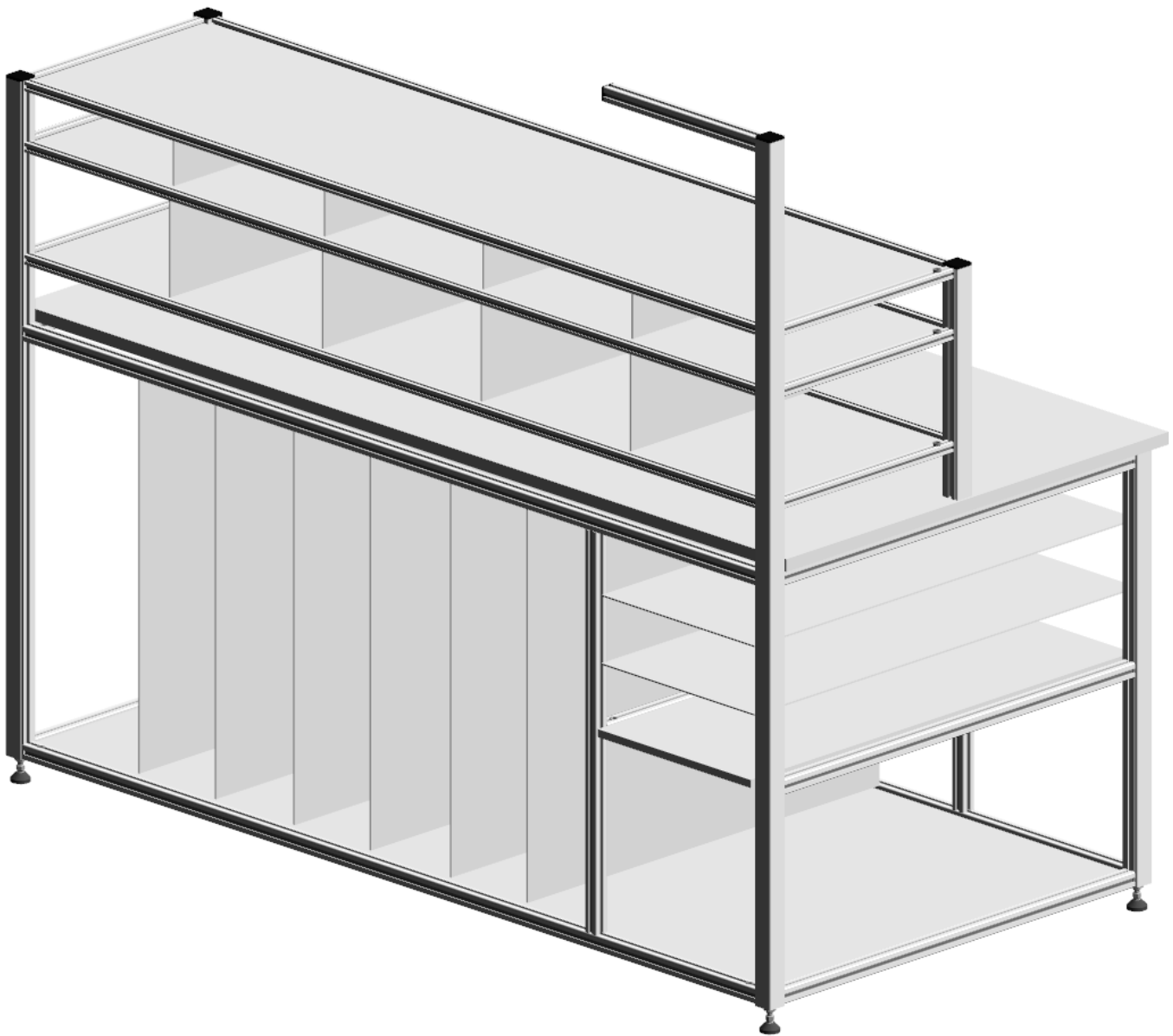
Pos	Article-No	Description	Units	Qty
23	2.85.32412.33	3mm composite (0.21Skin) GlossWhite/Matte white, SIZE: 98.00MM x 470.00MM ***PER DRAWING 6***	SM	4
24	2.85.32412.33	3mm composite (0.21Skin) GlossWhite/Matte white, SIZE: 198.00MM x 470.00MM ***PER DRAWING 7***	SM	4
25	2.85.32412.33	3mm composite (0.21Skin) GlossWhite/Matte white, SIZE: 790.00MM x 920.00MM ***PER DRAWING 8***	SM	6

Panels weight: 82.43 kg (181.74 lbs)

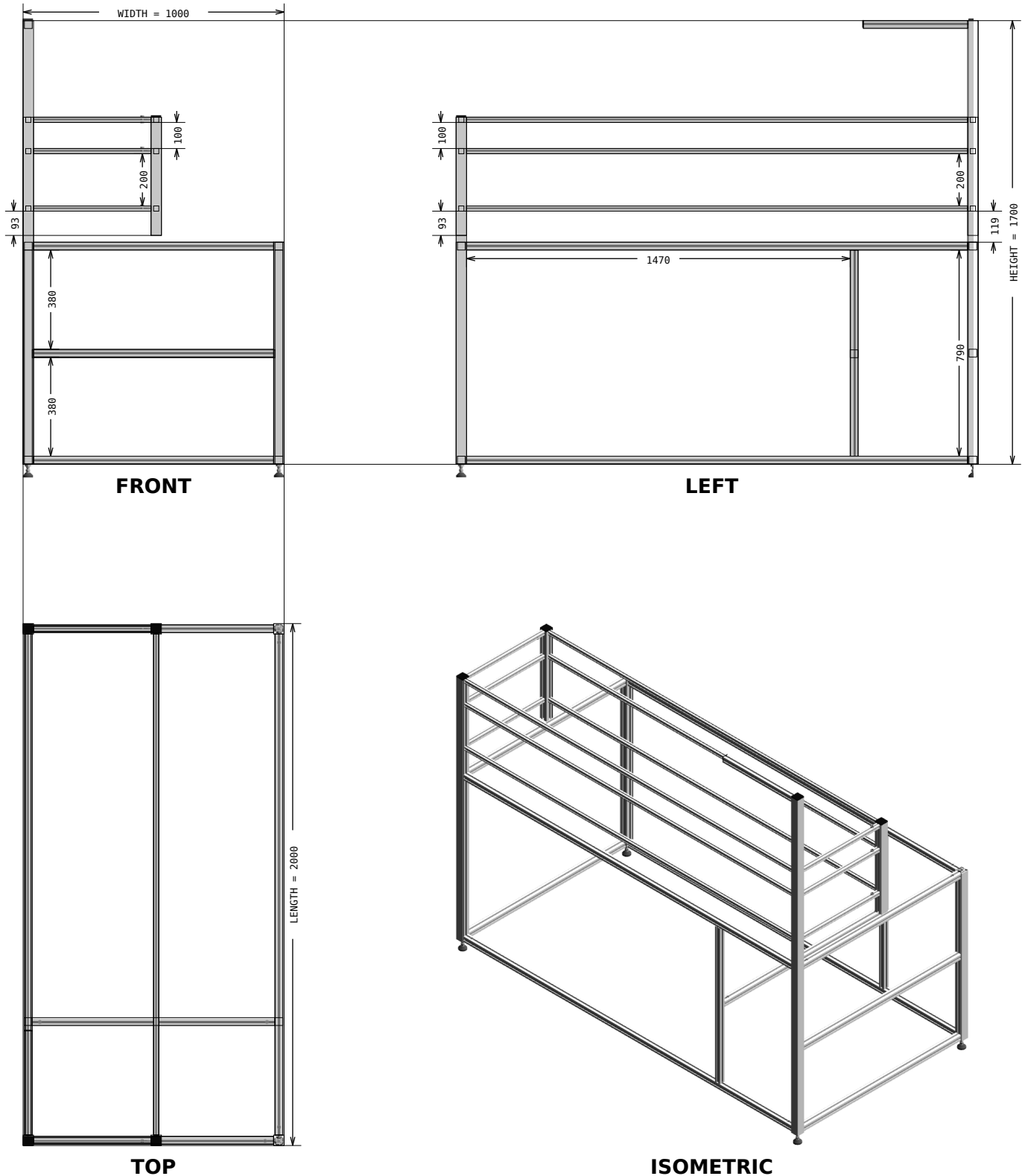
Total Weight: 118.87 kg (262.07 lbs)

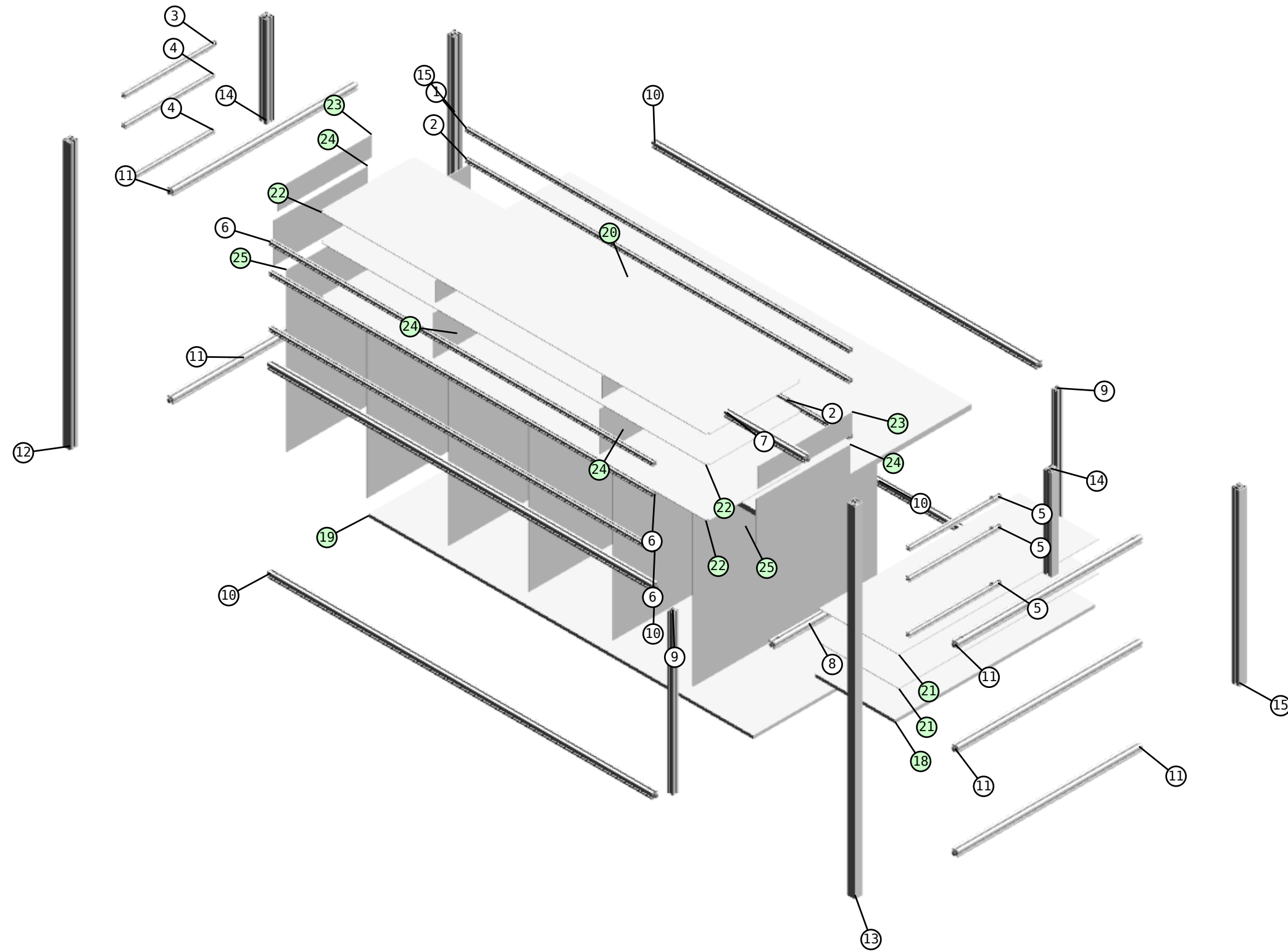
Isometric view

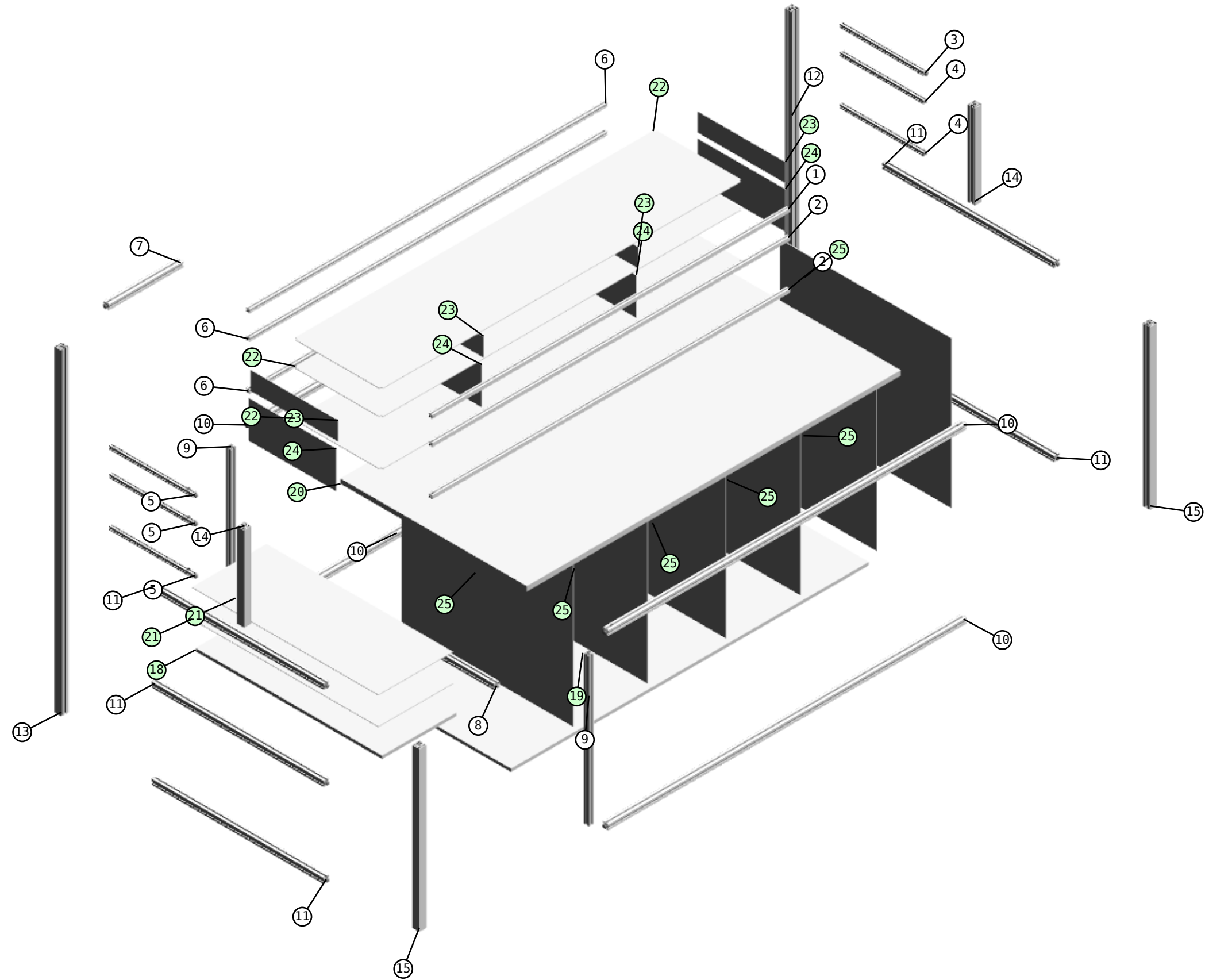
Some accessories may not be shown



Multiview



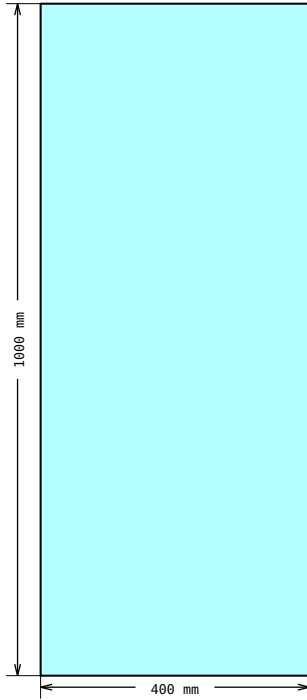




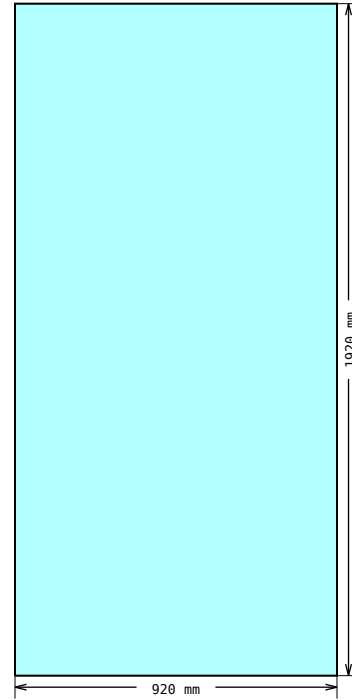
Assembly List

Pos	Article-No	Description	Related parts	Qty
1	1.10.020020.33SP-AA2AA1/1920	Profile 20x20, 3H, heavy, plain	1.20.2E0, Connector, universal	2
2	1.10.020020.33SP-AA3AA1/1920	Profile 20x20, 3H, heavy, plain	1.20.2E0, Connector, universal	4
3	1.10.020020.43LP-AA2AA2/450	Profile 20x20, 4H, light, plain	1.21.3E0, Connector, universal 1.20.2E0, Connector, universal	1 1
4	1.10.020020.43LP-AA4AA4/450	Profile 20x20, 4H, light, plain	1.20.2E0, Connector, universal	4
5	1.10.020020.43LP-AA2AA4/450	Profile 20x20, 4H, light, plain	1.21.3E0, Connector, universal 1.20.2E0, Connector, universal	3 3
6	1.10.020020.43LP-AA4AA4/1920	Profile 20x20, 4H, light, plain	1.20.2E0, Connector, universal	6
7	1.11.030030.43LP-AA4A00/400	Profile 30x30, 4F, light, plain	1.21.3E0, Connector, universal	1
8	1.11.030030.43LP-AA4AA4/930	Profile 30x30, 4F, light, plain	1.21.3F0, Connector, universal	2
9	1.11.030030.43LP-AA4AA4/790	Profile 30x30, 4F, light, plain	1.21.3F0, Connector, universal	4
10	1.11.030030.43LP-AA4AA4/1920	Profile 30x30, 4F, light, plain	1.21.3E0, Connector, universal	8
11	1.11.030030.43LP-AA4AA4/920	Profile 30x30, 4F, light, plain	1.21.3E0, Connector, universal	10

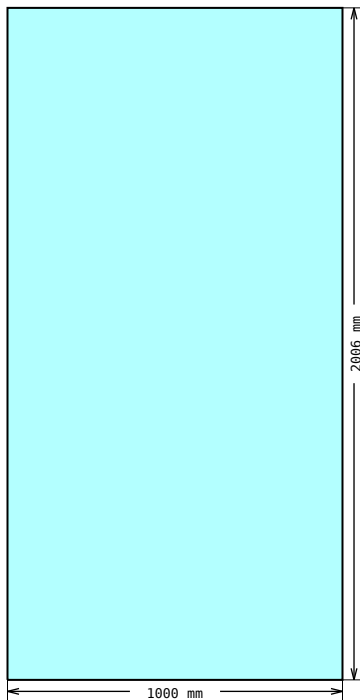
Panels



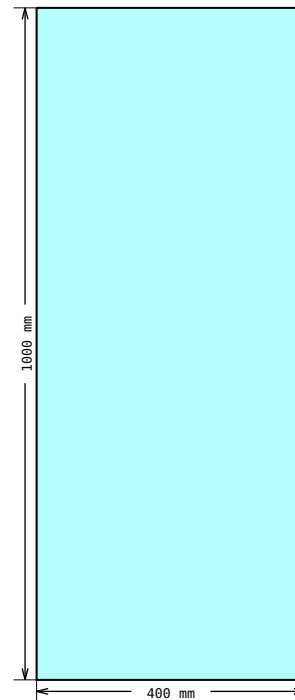
DRAWING 1, Pos 18
Shape measurements



DRAWING 2, Pos 19
Shape measurements

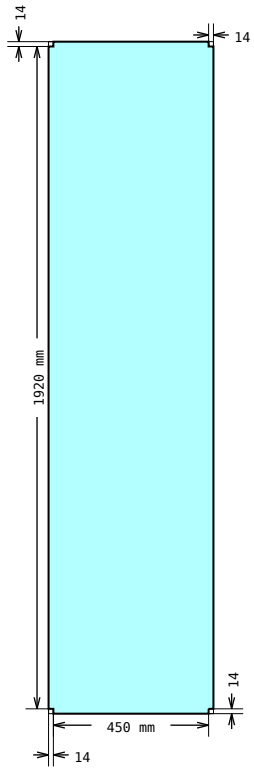


DRAWING 3, Pos 20
Shape measurements

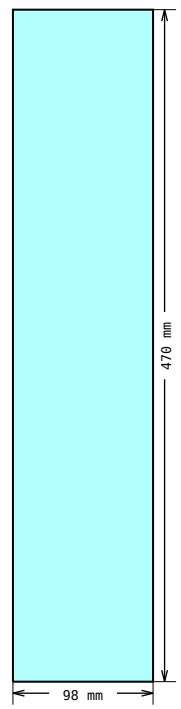


DRAWING 4, Pos 21
Shape measurements

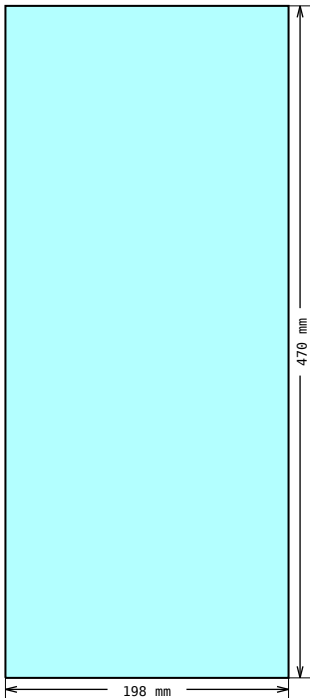
Panels



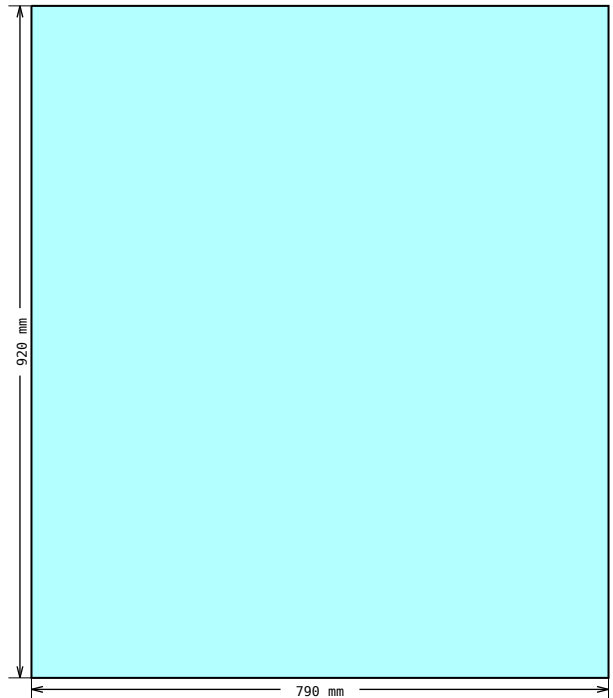
DRAWING 5, Pos 22
Shape measurements



DRAWING 6, Pos 23
Shape measurements

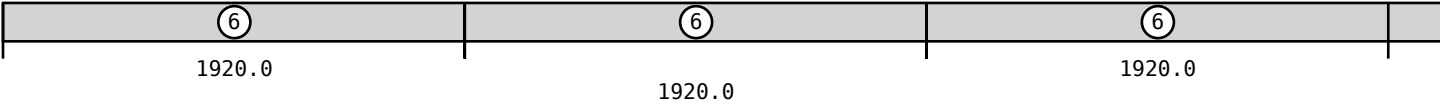

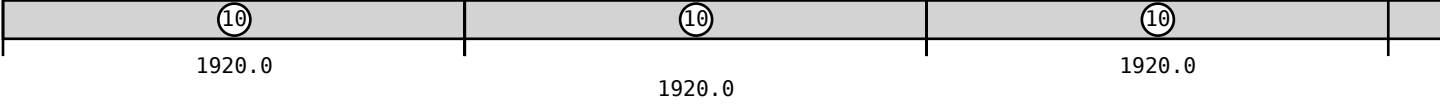
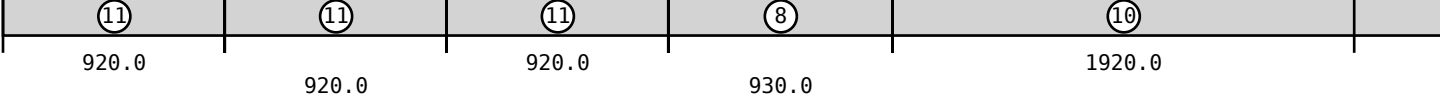
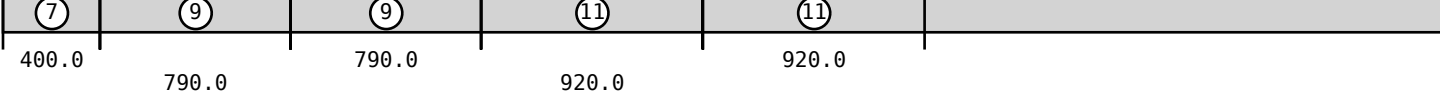
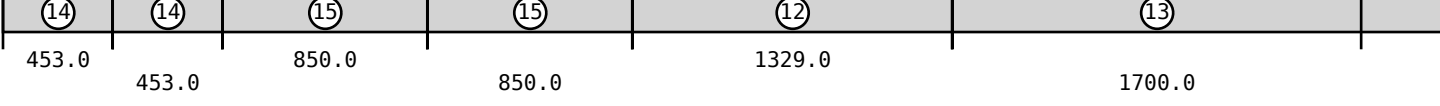
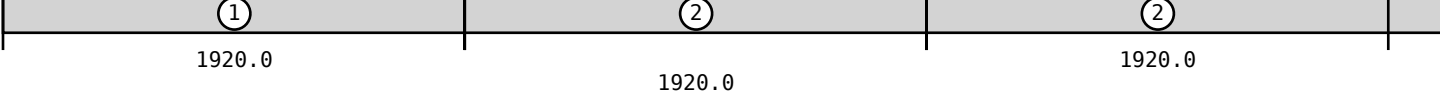


DRAWING 7, Pos 24
Shape measurements

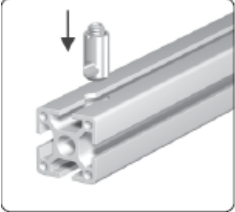
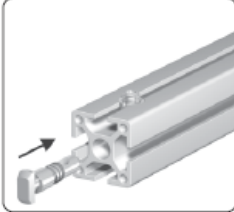
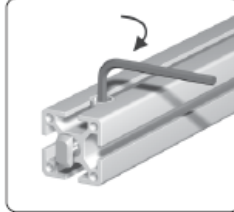
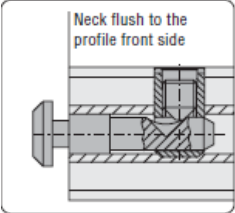
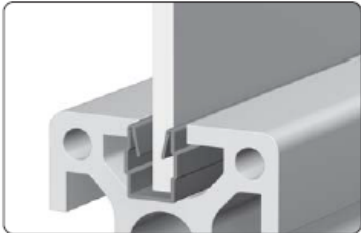
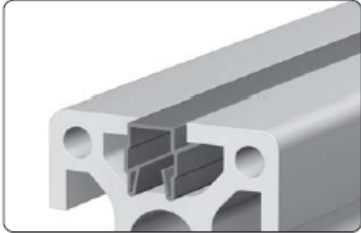


DRAWING 8, Pos 25
Shape measurements

Suggested profile cuts (incl. kerf: 4.0 mm)

Article-No	Cuts	Waste (mm)
1.10.020020.43LP	 <p>1920.0 1920.0 1920.0</p>	228.0 mm
	 <p>450.0 450.0 450.0 450.0 450.0 450.0</p>	3276.0 mm
1.11.030030.43LP	 <p>1920.0 1920.0 1920.0</p>	228.0 mm
	 <p>920.0 920.0 920.0 930.0 1920.0</p>	370.0 mm
	 <p>400.0 790.0 790.0 920.0 920.0</p>	2160.0 mm
1.14.040040.22LP4	 <p>453.0 453.0 850.0 850.0 1329.0 1700.0</p>	341.0 mm
1.10.020020.33SP	 <p>1920.0 1920.0 1920.0</p>	228.0 mm

Assembly hints

CONNECTOR	1.20.2E0 1.21.3E0 1.21.3F0	Connector, universal Connector, universal Connector, universal
 <p>Insert the cross bushing</p>  <p>Push in the anchor</p>  <p>Pretension the anchor</p>  <p>Neck flush to the profile front side</p> <p>Comments For the optimal assembly of the profiles the connector is to be installed in such a way that the neck is flush to the profile front side</p>		<p>Most MayTec connectors follow these assembly steps. Tightening torque is: 5-15 Nm for 20mm profiles, 30 Nm for 30mm group, 35 Nm for 40mm and larger profiles.</p>
None	1.41.H04.1	Combination profile PVC, H, B4, grey (bar 2.5 m)
 <p>Use as reduction profile</p> <p>Application Combination profiles for use as reduction or cover profiles</p> <p>Technical data bar length: 2.5 m material: PP • oil and water resistant</p>  <p>Use as slot-cover profile</p> <p>Colours: grey black orange red blue green</p>		<p>These profiles fill the space between the panel and the walls of the T-slot.</p>